



BLUE LOGIC

001 FLEXIBLE POWER INPUT

AC or DC power, 145 – 350VDC or 110 – 250VAC.
Power Factor Controller adapts to any power supply
available from the host.

002 INGENIOUS LATCH MECHANISM

Auto-latch locking the tool in position once
fully inserted. One-grip manipulator
operation to release after operation.

BLUE LOGIC ELECTRICAL TORQUE TOOL – AUTO CLASS SELECT

All-Electric Torque Tool with automatic
selection of output class. Suitable for all
kinds of Subsea Torque operations

004 ADAPTIVE GUI

Dedicated GUI for operation via laptop/PC.
Large range of settings and auto-functions for maximum
control and logging of all operations.
Integration with external control system feasible

005 AUTO CLASS SELECTION

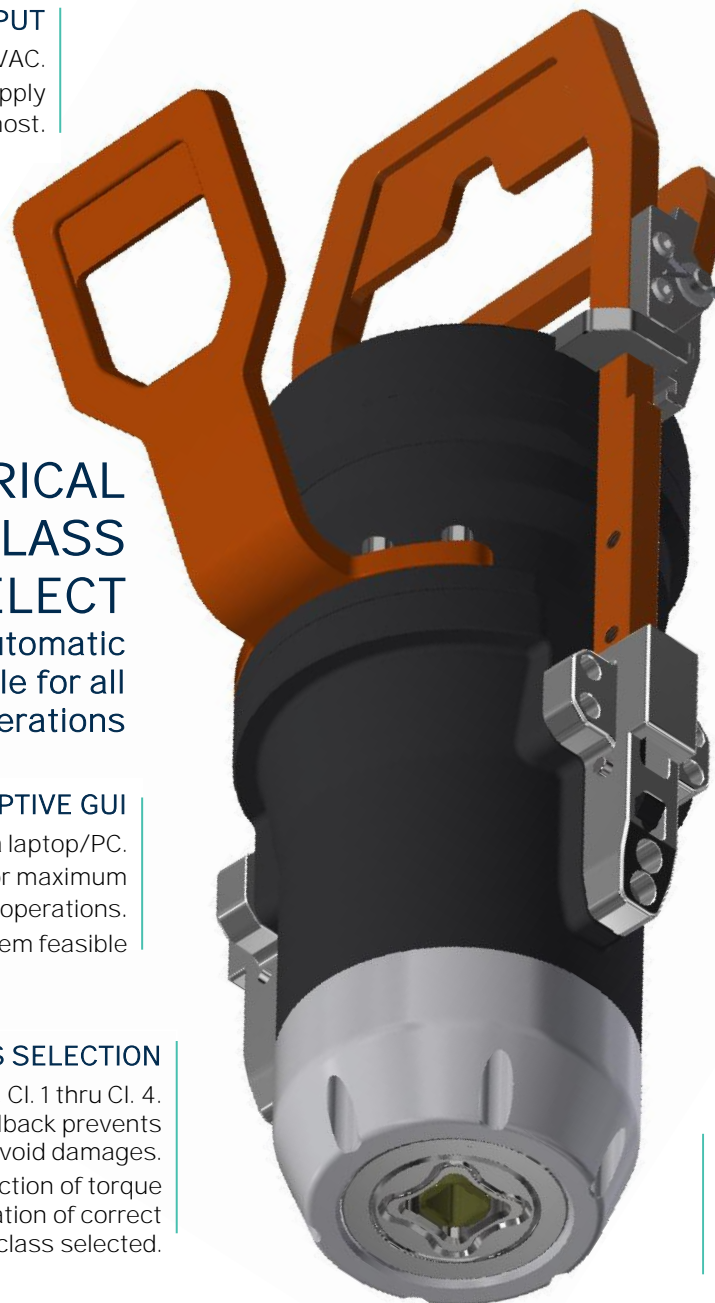
Automatic, mechanical selection of output socket, Cl. 1 thru Cl. 4.
Mechanical clutch arrangement with sensor feedback prevents
torque operation until socket is fully engaged to avoid damages.
Autodetect of engaged socket enabling auto-selection of torque
output. Pop-up window in GUI will ask for confirmation of correct
class selected.

003 LOG ALL PARAMETERS

All operations logged for operational
reporting. Trending of required torque allows
for condition monitoring of critical subsea
applications over time.

006 SMOOTH OPERATION

Precise motor controller enables gentle operation.
Ramp-up and ramp-down feature ensures careful
operation of critical applications.





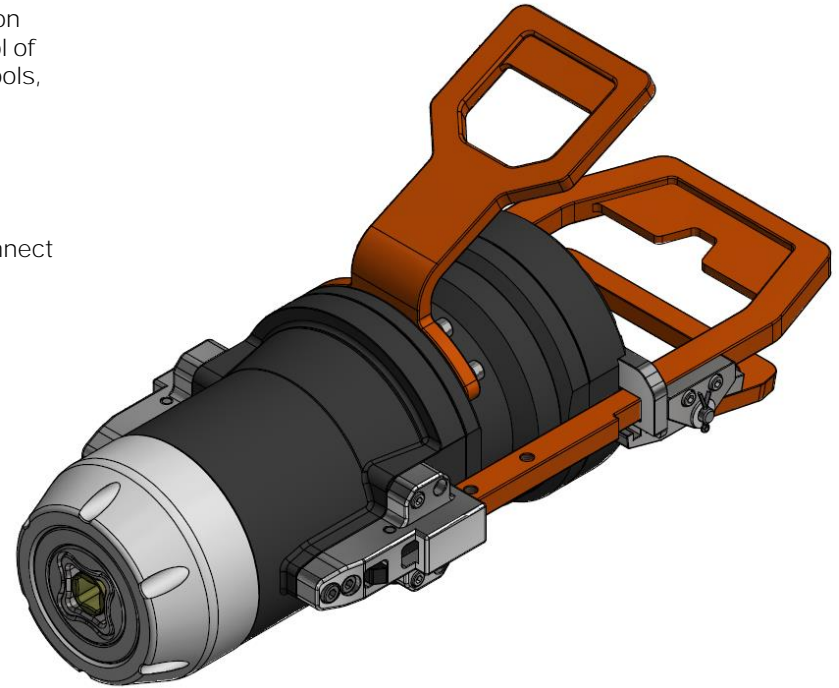
BLUE LOGIC CLASS 1-4 ELECTRICAL TORQUE TOOL

The Blue Logic Electrical Torque Tool utilize technology and advantages based on modern servo-based electrical controlled drive system to enable precise control of rotational speed, angular position and torque output. Different from hydraulic tools, the performance is not influenced by changes in surrounding temperature.

Optional Equipment:

- Torque verification jig, deck testing
- Torque verification jig, subsea testing
- Inductive connector for power & comms allowing for subsea hook-up/disconnect of Torque Tool and ROV, similar to traditional hot stab connect/disconnect
- Class 6-7 gearbox

Article No.	BB9879
Depth rating	3000 m
Supply voltage	110-250 VAC 50/60Hz or 145-350 VDC
Standards	API17H / ISO 13628-8
Output sockets	API17H / ISO 13628-8 Class 1 - 4
Weight in air	34,0kg
Weight in seawater	25,7kg
Dimensions	240 x 300 x 593mm
Torque range, CI1-2	67,5 – 270Nm
Torque range, CI3-4	500 – 2700Nm
Low torque max speed	30 RPM
High Torque max speed	6 RPM
High torque accuracy	+/-10% @torque above 250Nm
Low torque accuracy	+/-5% @torque below 250Nm
Positioning precision	+/- 1°
Max. power consumption	2000 W
Max current draw	20 A
Communication	RS232 or RS485, Modbus RCU Protocol



BB9879 2,7kNm Torque Tool with Auto Class Select



104212 CI.4 Calibration Jig



BB0167 CI.2 Calibration Jig



BB2408 Class 6 - 7 Gearbox

Technical data subject to change as continuous development/improvement is ongoing.